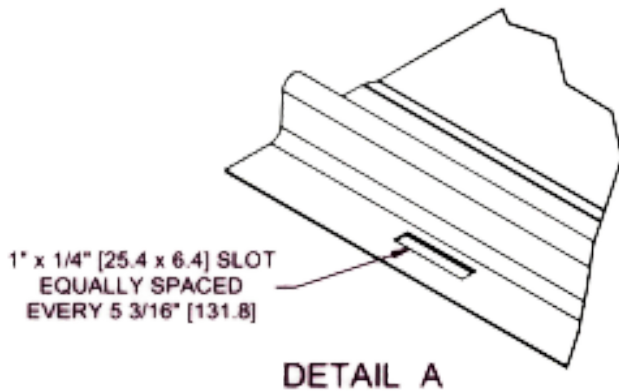


3 ADDED SSH AND SSR PANEL WIDTHS

PANEL NOTES:

1. MATERIAL USAGE: 5 5/16" APPROX
2. CLIP RELIEF ROLLERS ARE STANDARD WITH DURALOCK 150
3. PANEL IS SHOWN WITH CLIP RELIEF ROLLERS ENGAGED
4. DUAL DIMENSIONS: Inch (mm)
5. TOLERANCES:
 - a..XX = +/- .01
 - b..XXX = +/- .005
 - c.FRACTION = +/- 1/32"
 - d.ANGLE = +/- 1/2 degree
6. PANEL WIDTH: 14.75"
7. PANEL SEAM: FF SnapLock
8. SEAM HEIGHT: 1.5"
9. PANEL MATERIAL: 22GA - 26GA



PERFORMANCE:

1. Hail Rate: Class 4 Impact UL 2218
2. Fire Rating: UL Class A