

Roll Up Door

Roll Up Door
Roll Up Door

**FOR UTILITY, AGRICULTURAL,
AND POST FRAME BUILDINGS**

trueTM
METAL SUPPLY

experience
true service

ROLL UP DOOR

Our roll up doors are ideal for carports, barns, sheds and self-storage/ commercial unit mix. These industry-leading 3rd Generation roll-up doors are manufactured to be durable and easy to install with little maintenance required.

26 GAUGE DOOR CURTAIN

Manufactured from galvanized grade 80 steel and coated with super durable polyester paint in more than 30 color options.

DEAD AXLE & BARREL ASSEMBLY

An enclosed spiral barrel houses the dead axle assembly and offers durability and smoother operation as weight is distributed throughout the barrel.



- Simple Installation
- Durable with smooth operation
- Quality guaranteed

**40-YEAR
WARRANTY**
for film integrity

TRUOMETALSUPPLY.COM

*** SPECS FOR ROLL UP DOOR**

HEAD ROOM REQUIREMENTS

OPENING HEIGHT	VERTICAL HEADROOM	HORIZONTAL HEADROOM
Thru 7'4"	15-1/2"	17"
Over 7'4" thru 8'8"	16"	17-1/2"
Over 8'8" thru 10'	17"	18-1/2"

SIDE ROOM REQUIREMENTS

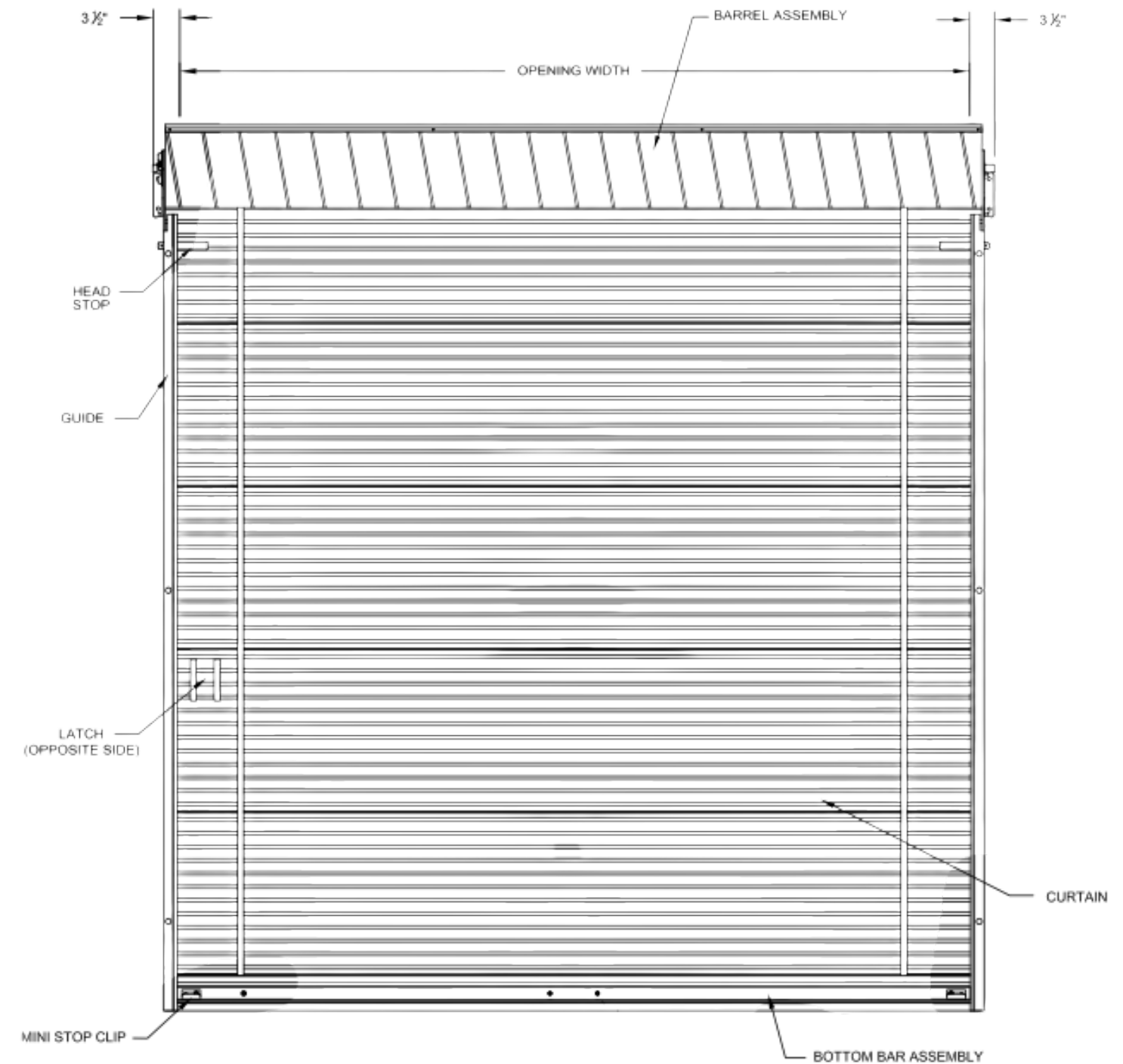
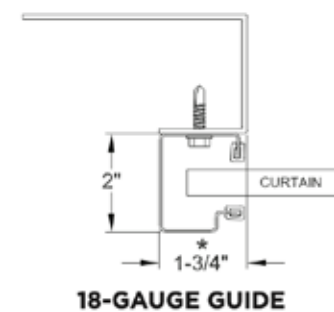
TO OUTSIDE OF BRACKET LEG (BOTH ENDS)	TO END OF AXLE (BOTH ENDS)
3-1/2"	3-1/2"

HIGHLIGHTS

BARREL	9-1/2"
GUIDE	2" , 18GA

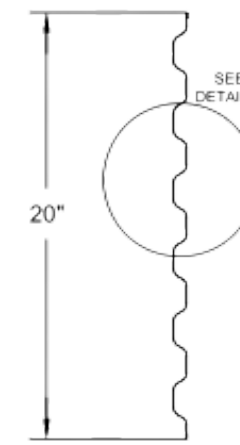
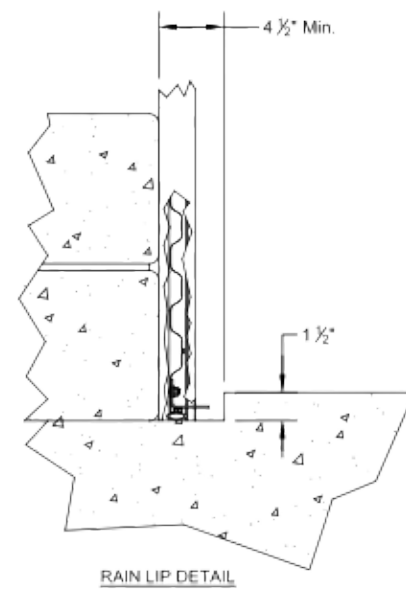
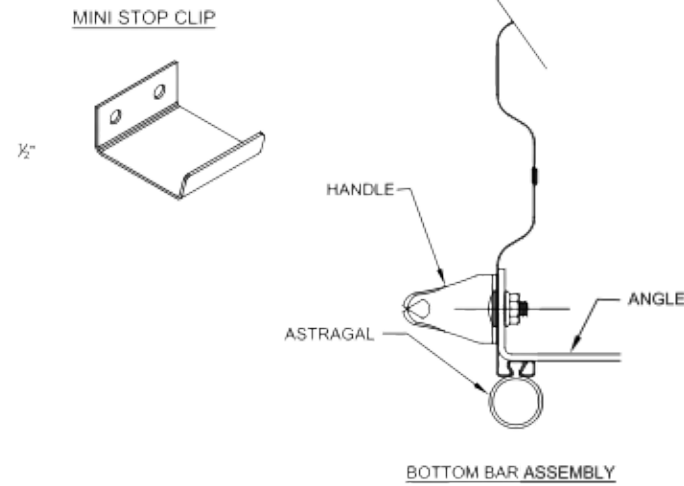
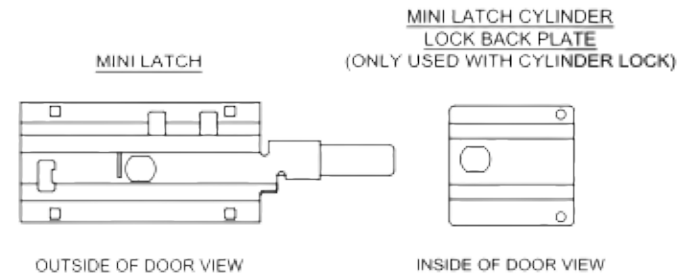
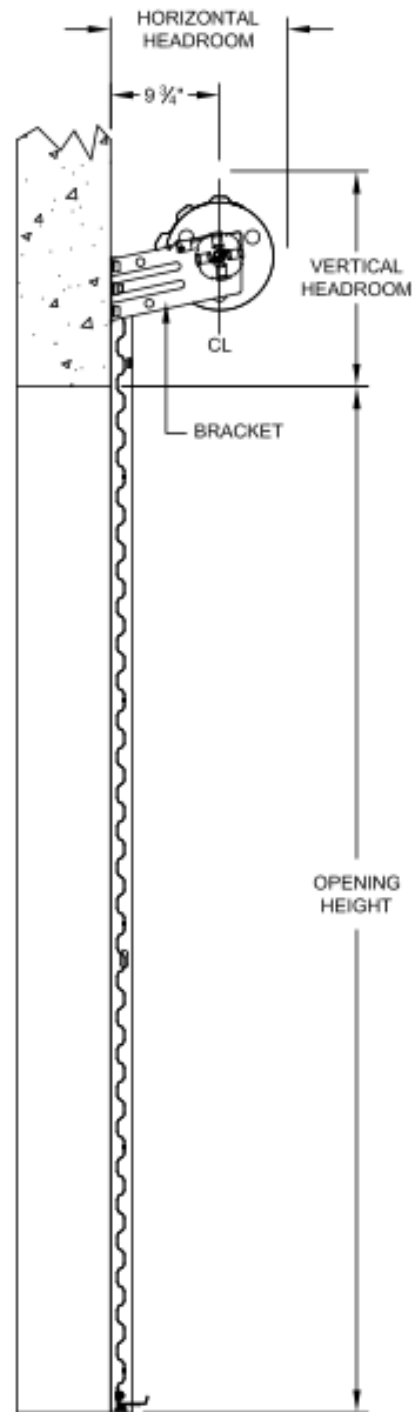
GUIDE DETAILS

Universal mount 2" deep, 18-gauge galvanized steel guides require no pre-installation modifications for wood, steel, concrete or filled masonry block applications.

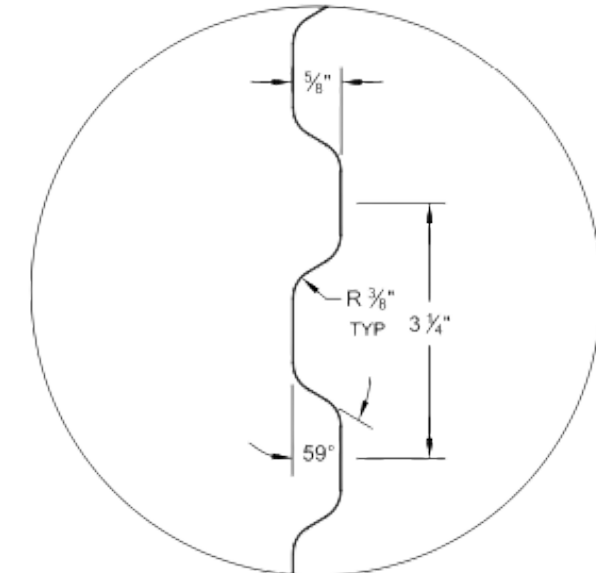


*Specs provided are based off 650 Series Roll Up Doors (up to 10' x 10'). Specifications for larger doors are available upon request.

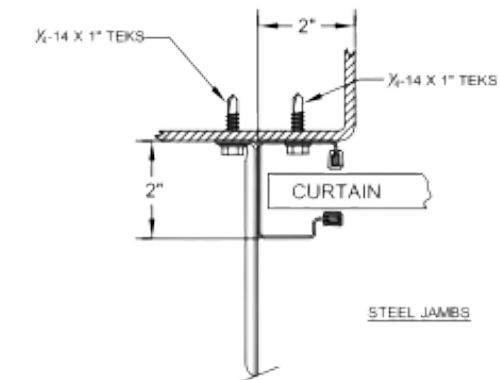
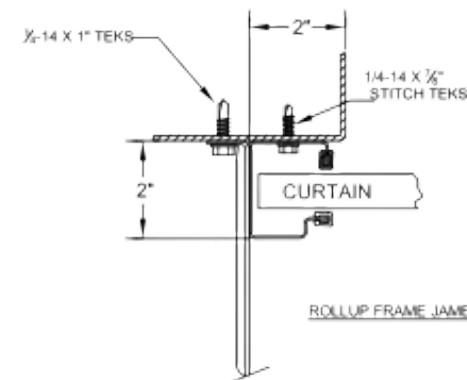
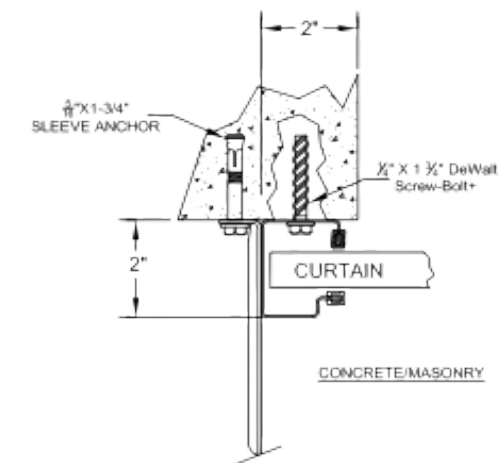
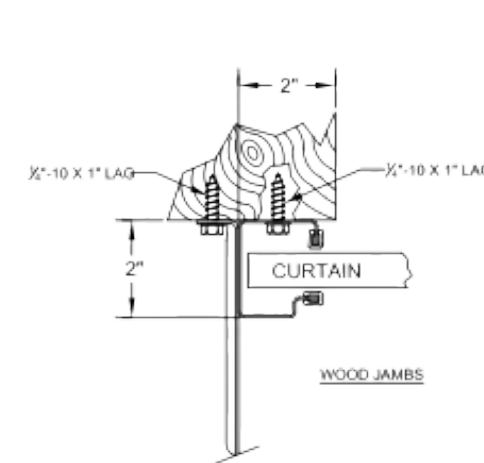
*** SPECS FOR ROLL UP DOOR**



26 GA CURTAIN PANEL DETAIL



DETAIL A





Walk Door

Walk Door
Walk Door

**FOR UTILITY, AGRICULTURAL,
AND POST FRAME BUILDINGS**



experience
true service

SERIES 99E WALK DOOR

The Plyco 99 Series pre-hung door is one of our most popular doors with years of top engineering and customer satisfaction. It includes full perimeter weather stripping, universal swing feature, and is fully reversible in the 3 1/2" thick jamb. A polyurethane foam core reduces sound and possesses superior insulating qualities. This pre-hung, insulated utility door is a perfect entry door solution for post frame buildings, out buildings, garages, carports, and utility buildings.



- Durable and Attractive Polar White Finish
- Full Perimeter Weather Stripping
- 4-Way Universal

specs
WALK DOORS



SERIES 99E WALK DOOR

DETAILS

OVERALL OUT-TO-OUT	37 5/8 x 73 13/16
HINGES	(3) 4" x 4" zinc plated loose pin hinges are standard
THRESHOLD	Aluminum, universal

DOOR PANEL

THICKNESS	1-3/4"
SKIN	Smooth, polar white 26ga steel
EDGES	Rolled edges in aluminum core rail
LOCK FACE PREP	Standard with 2 1/8" lockset bore, 2 3/4" backset
SWEEP	Durable Acryn bulb & fin sweep

JAMB

TYPE	Pre-hung
MATERIAL	Aluminum
FRAME DEPTH	3-1/2"
ANCHORS	Standard frame screws
HINGE PREP	Face mounted with concealed edge
FEATURES	Flush plain doors are universal swing Heavy pile weatherstrip

Sliding Doors

Sliding Doors

Sliding Doors

Sliding Doors

FOR UTILITY, AGRICULTURAL,
AND POST FRAME BUILDINGS

trueTM
METAL SUPPLY

experience
true service

DOUBLE BUCK SLIDING DOOR KIT

These bold sliding doors are the accent piece you've been searching for! The handy kits are available in a variety of sizes for both single and double sliding doors. They also come precut and predrilled for quick assembly. With powder coated horizontal & vertical trims, as well as rails, these sliders have unmatched durability.

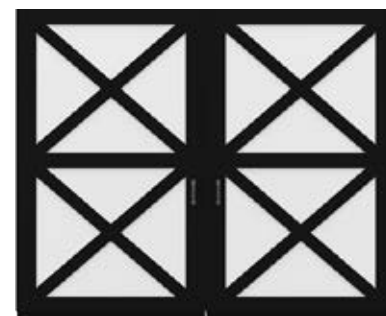
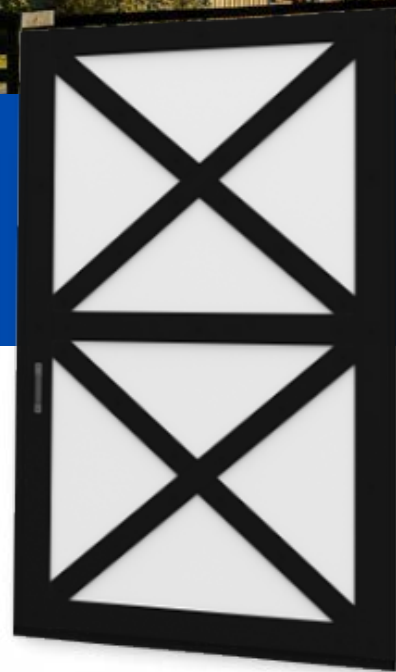
DOUBLE DOOR SIZES:

- 8x8
- 8x10
- 10x10
- 10x12
- 12x12

SINGLE DOOR SIZES:

- 4x8
- 4x10
- 5x10
- 5x12
- 6x10
- 6x12

- All parts precut & predrilled for fast assembly
- Available in multiple sizes
- Powder coated rails and horizontal & vertical trims



door kit
COMPONENTS

trueTM
METAL SUPPLY

DOUBLE BUCK SLIDING DOOR KIT

KIT COMPONENTS (as shown in diagram)

- A. 2 Vertical door rails
- B. 1 Bottom door rail
- C. 2 Vertical trims
- D. 3 Horizontal trims
- E. 2 Cross-buck sets & 40 Piece colored screw package

ALSO INCLUDED

- Plywood
- Structural fasteners
- Steel horizontals
- 29 ga. backer steel
- Track, trolleys & hardware

