

# Walk Door

FOR UTILITY, AGRICULTURAL,  
AND POST FRAME BUILDINGS

**true**<sup>TM</sup>  
METAL SUPPLY

experience  
true service

## SERIES 99E WALK DOOR

The Plyco 99 Series pre-hung door is one of our most popular doors with years of top engineering and customer satisfaction. It includes full perimeter weather stripping, universal swing feature, and is fully reversible in the 3 ½" thick jamb. A polyurethane foam core reduces sound and possesses superior insulating qualities. This pre-hung, insulated utility door is a perfect entry door solution for post frame buildings, out buildings, garages, carports, and utility buildings.



- Durable and Attractive Polar White Finish
- Full Perimeter Weather Stripping
- 4-Way Universal

## SERIES 99E WALK DOOR

### DETAILS

OVERALL OUT-TO-OUT	37 5/8 x 73 13/16
HINGES	(3) 4" x 4" zinc plated loose pin hinges are standard
THRESHOLD	Aluminum, universal

### DOOR PANEL

THICKNESS	1-3/4"
SKIN	Smooth, polar white 26ga steel
EDGES	Rolled edges in aluminum core rail
LOCK FACE PREP	Standard with 2 1/8" lockset bore, 2 3/4" backset
SWEEP	Durable Acryn bulb & fin sweep

### JAMB

TYPE	Pre-hung
MATERIAL	Aluminum
FRAME DEPTH	3-1/2"
ANCHORS	Standard frame screws
HINGE PREP	Face mounted with concealed edge
FEATURES	Flush plain doors are universal swing Heavy pile weatherstrip

# Roll Up Door

Roll Up Door  
Roll Up Door

**FOR UTILITY, AGRICULTURAL,  
AND POST FRAME BUILDINGS**

**true**<sup>TM</sup>  
METAL SUPPLY

experience  
true service

## 650 SERIES ROLL UP DOOR

The 650 Series is ideal for light-duty use in carports, barns, sheds and self-storage/commercial unit mix. This industry-leading 3rd Generation roll-up doors is manufactured to be durable and easy to install with little maintenance required.

## 26 GAUGE DOOR CURTAIN

Manufactured from galvanized grade 80 steel and coated with super durable polyester paint in more than 30 color options.

## DEAD AXLE & BARREL ASSEMBLY

An enclosed spiral barrel houses the dead axle assembly and offers durability and smoother operation as weight is distributed throughout the barrel.



- Maximum 10x10
- Self-Storage / Light Duty
- Quality Guranteed

**40-YEAR  
WARRANTY**  
for film integrity

[TRUOMETALSUPPLY.COM](http://TRUOMETALSUPPLY.COM)

## 650 SERIES ROLL UP DOOR

### HEAD ROOM REQUIREMENTS

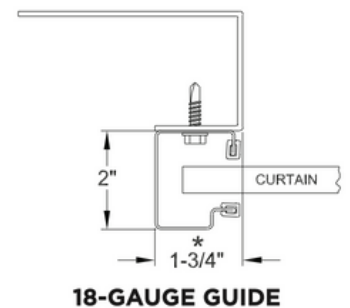
OPENING HEIGHT	VERTICAL HEADROOM	HORIZONTAL HEADROOM
Thru 7'4"	15-1/2"	17"
Over 7'4" thru 8'8"	16"	17-1/2"
Over 8'8" thru 10'	17"	18-1/2"

### SIDE ROOM REQUIREMENTS

TO OUTSIDE OF BRACKET LEG (BOTH ENDS)	TO END OF AXLE (BOTH ENDS)
3-1/2"	3-1/2"

### GUIDE DETAILS

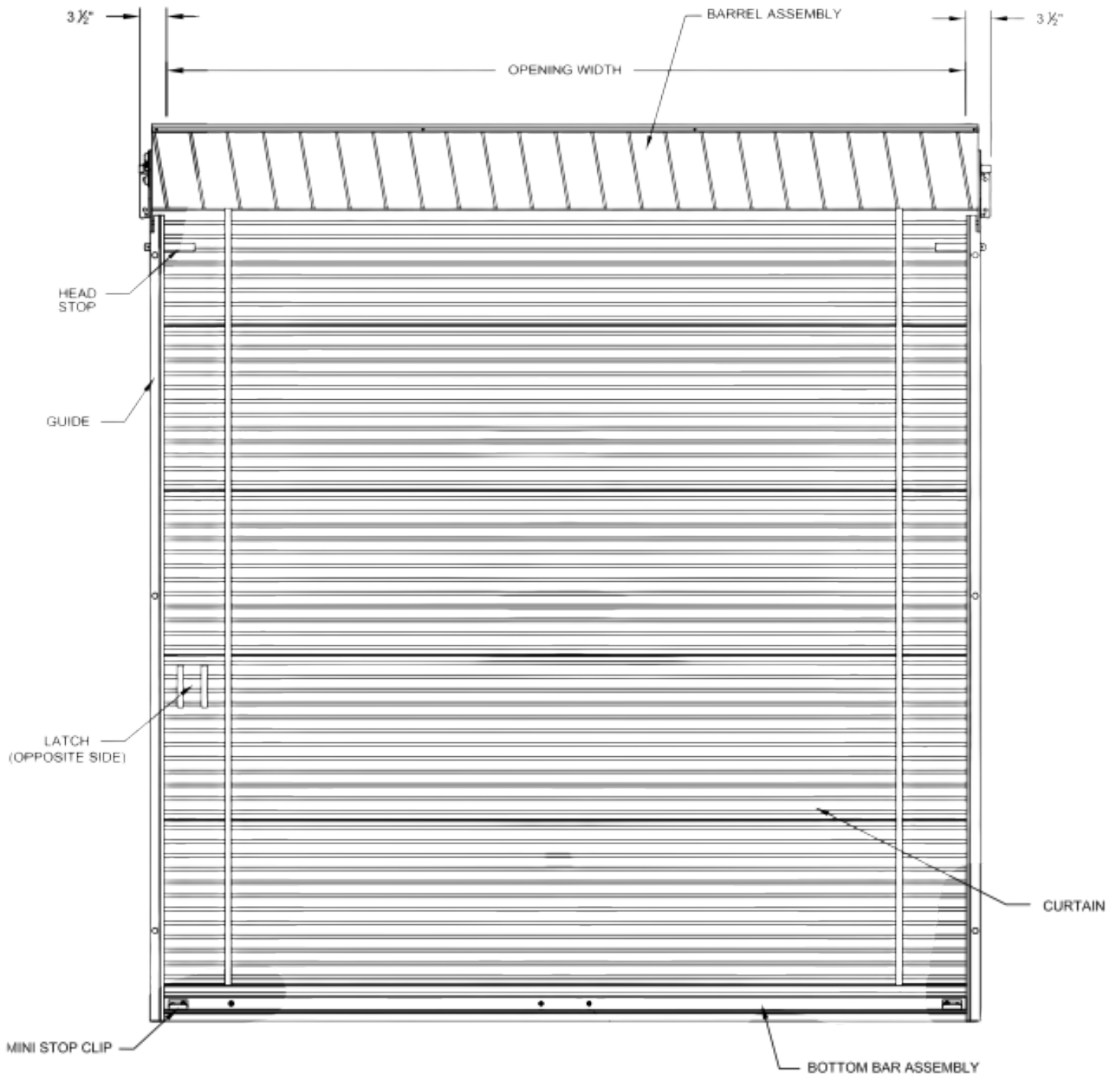
Universal mount 2" deep, 18-gauge galvanized steel guides require no pre-installation modifications for wood, steel, concrete or filled masonry block applications.



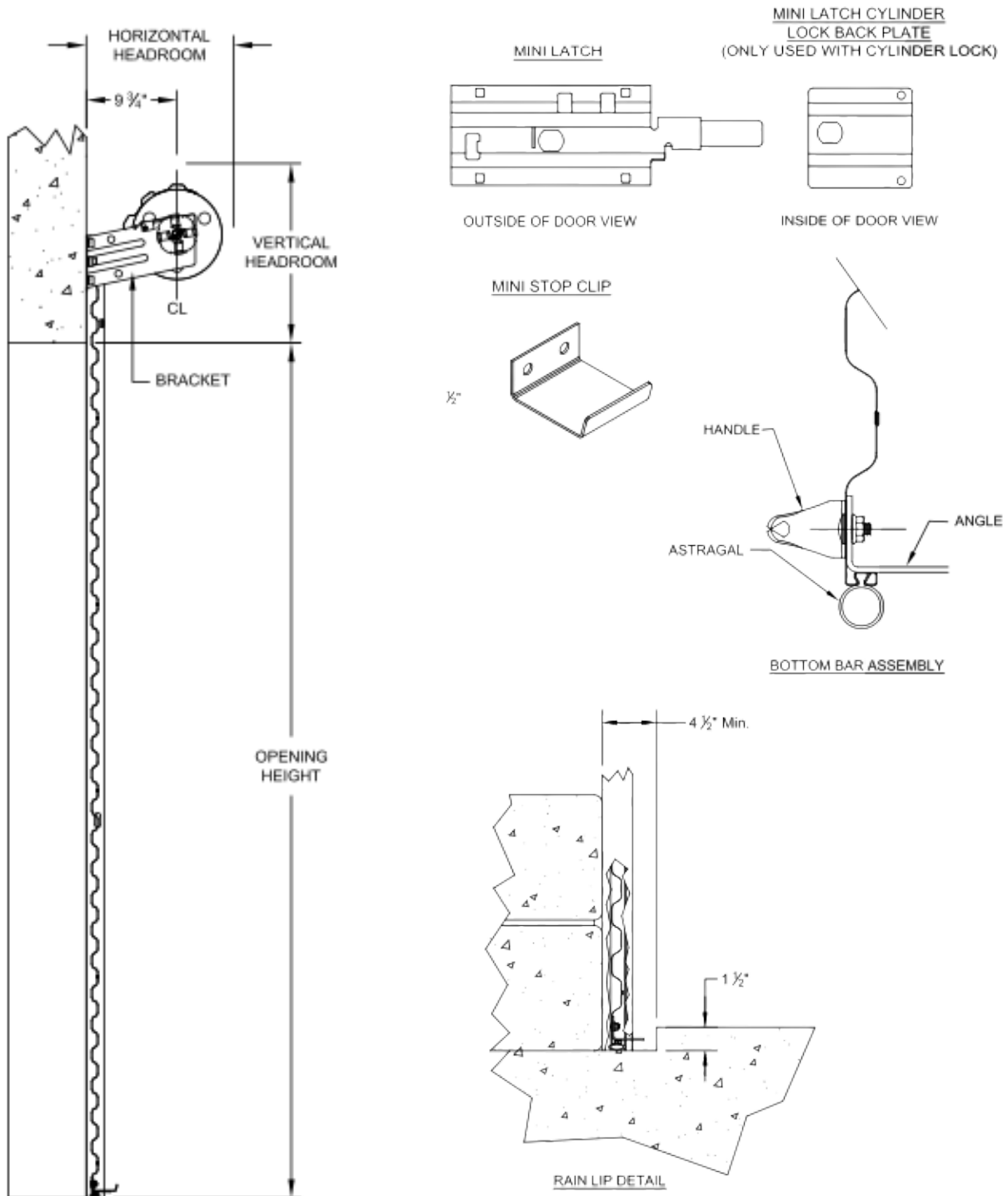
### HIGHLIGHTS

BARREL	9-1/2"
GUIDE	2" , 18GA

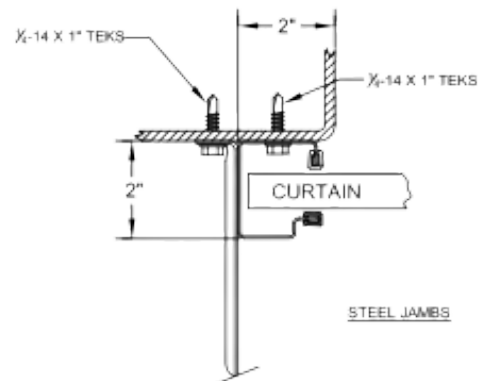
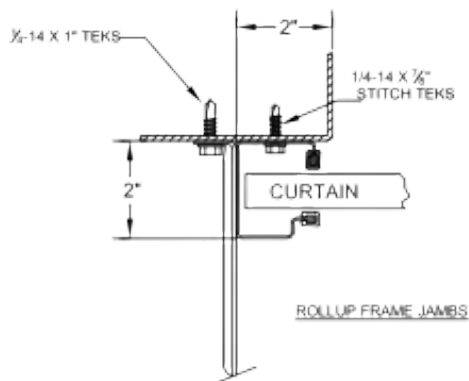
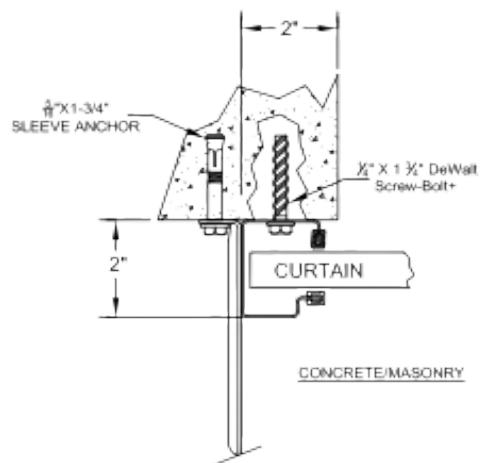
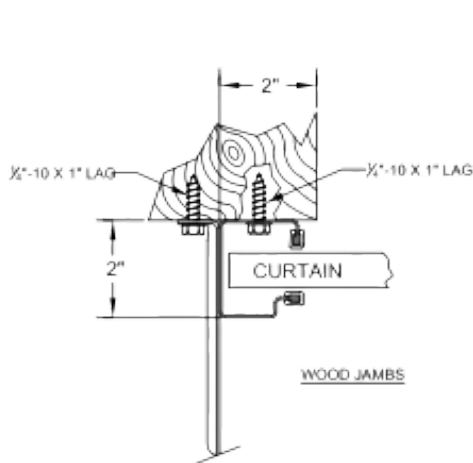
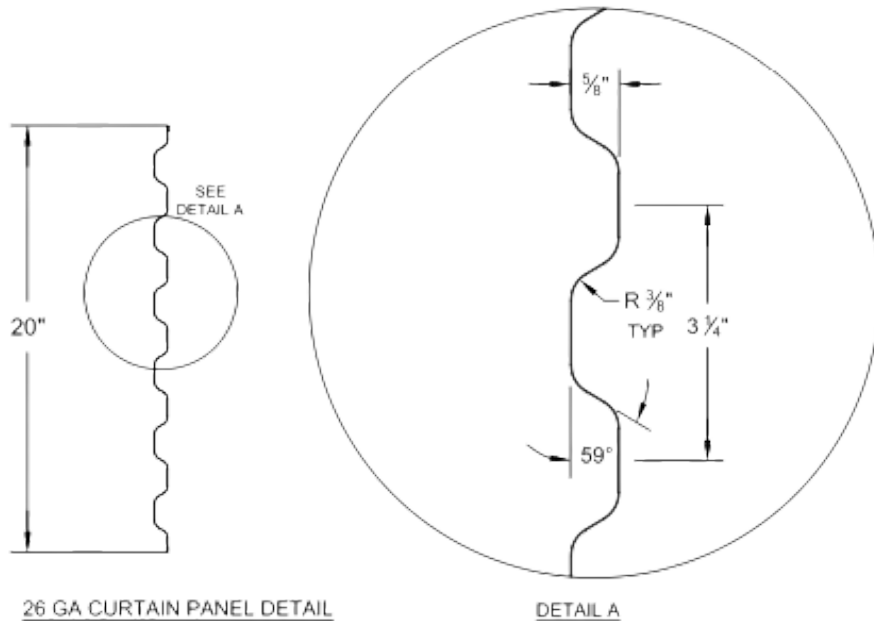
## 650 SERIES ROLL UP DOOR



## 650 SERIES ROLL UP DOOR



**650 SERIES ROLL UP DOOR**



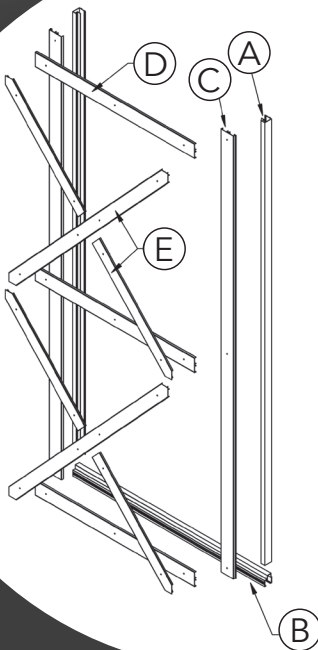
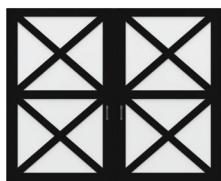


# 5115 SLIDING DOOR KIT

## DOUBLE DOOR SIZES:

8x8, 8x10, 10x10,  
10x12, 12x12

1 H-Rail provided w/  
double door kits



All parts  
precut &  
predrilled  
for **fast**  
assembly!

## SINGLE DOOR SIZES:

4x8, 4x10, 5x10,  
5x12, 6x10,  
6x12



### CONTRACTOR PROVIDES:

Plywood  
Structural fasteners  
Steel horizontals\*  
29 Ga. backer steel  
Track, trolleys & hardware\*  
*\*available at MWI*

### A COLOR MATCHED, POWDER-COATED 5115 SLIDING DOOR KIT INCLUDES:

- A. 2 Vertical door rails
- B. 1 Bottom door rail
- C. 2 Vertical trims
- D. 3 Horizontal trims
- E. 2 Cross-buck sets
- E. 40 Piece colored screw package

00101912

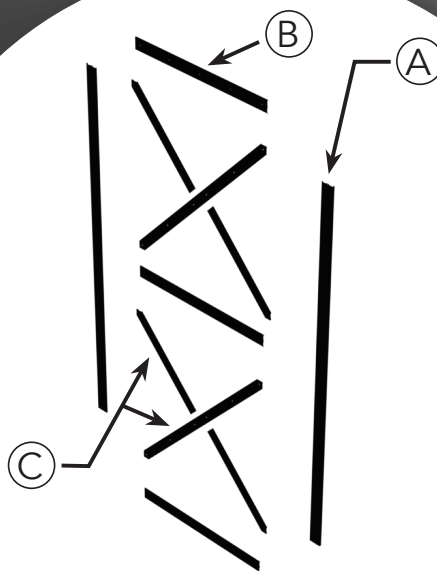
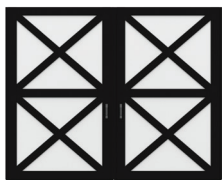




# 5116 TRIM DOOR KIT

## DOUBLE DOOR SIZES:

8x8, 8x10, 10x10,  
10x12, 12x12



All parts precut & predrilled  
for **fast** assembly!

## SINGLE DOOR SIZES:

4x8, 4x10, 5x10,  
5x12, 6x10,  
6x12



### CONTRACTOR PROVIDES:

Framing material  
Plywood  
Structural fasteners  
Steel horizontals\*  
29 Ga. backer steel  
Track, trolleys & hardware\*  
*\*available at MWI*

### A COLOR MATCHED, POWDER-COATED 5116 TRIM DOOR KIT INCLUDES:

- A. 2 Vertical trims
- B. 3 Horizontal trims
- C. 2 Cross-buck sets
- C. 40 Piece colored screw package

00101912



ARCADIAN  
DOORS



# DUTCH DOORS

# ARCADIAN SLIDERS

## DUTCH, BALE & FRENCH DOOR FEATURES

- One piece assembled or optional kit, laser cut design
- Color-matched hardware
- Knock-down frame or optional welded frame, prepped with hinges
- Double cross-buck or half-light options
- Thousands of color combinations available
- All galvanized substrate
- Double Dutch or French Door options available
- Rough Openings: Dutch 49.125"x87.5", Bale 49.125"x43.75", Double/French 97.813"x87.5"

## ARCADIAN SLIDING DOOR FEATURES

- 26 standard sizes available, single or split doors
- Includes TBSG & door pull
- Double cross-buck or half-light options
- Offered fully assembled or in kit form
- All door assembly components and fasteners included
- 1 1/2" door panel construction
- Thousands of color combinations available
- Extruded aluminum substrate
- Track packages available (see back page for details)

# OUR DOORS

### DUTCH DOOR SPECIFICS

**K.D. Standard Dutch Doors & Bale Doors Include:** Door Panel w/ mitered corners, Cross Bucks, 29 ga Steel Insert, Hinges, Barrel Bolt, D-Latch, Fasteners & Door Catch. K.D. Standard Door is Universal Swing

**Assembled Premium Dutch Doors, Bale Doors Include:** One piece laser cut Door Panels, Cross Bucks, 29 ga Steel Insert, Plywood Core, Hinges, Barrel Bolt, D-Latch, Fasteners, Door Catch & complete assembly. Specify right or left hand swing for premium doors

**Assembled Premium Double Dutch Doors or French Doors Include:** All parts listed for Premium Doors plus 12" Cane Bolts & complete assembly. Doors are prepped to have one right swing and one left swing panel

**UPGRADE! SURFACE MOUNTED CROSSBUCKS:** Color-matched cross bucks added to the back-side of doors provides additional aesthetic to building interior when closed & exterior when opened



### BALE WINDOW



### BALE DOOR



### DUTCH DOOR FIXED



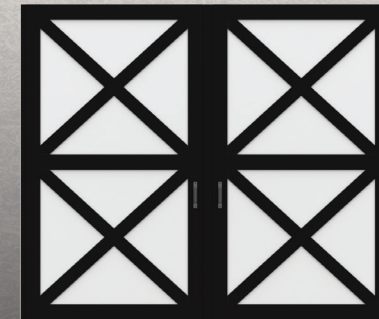
### DOUBLE DUTCH DOORS



### ARCADIAN SLIDER HALF LIGHT



### ARCADIAN SLIDER DOUBLE BUCK



### ARCADIAN DOOR SIZES

**SINGLE SLIDING:** 4x8, 4x10, 5x8, 5x10, 5x12, 6x8, 6x10, 6x12, 6x14, 7x8, 7x10, 7x12, 7x14

**SPLIT SLIDING:** 8x8, 8x10, 10x8, 10x10, 10x12, 12x8, 12x10, 12x12, 12x14, 14x8, 14x10, 14x12, 14x14

\*Items provided with Arcadian Doors: Color matched door pulls & bottom guide rails with hardware kit

**UPGRADE! ARCADIAN SABRE SLIM:** Exterior, lockable, polished, chrome plated handle with keyed entry on 1.5" Split Sliding Arcadian Doors. Zinc plated center case with inside handle. Interior latch functions even when exterior is locked

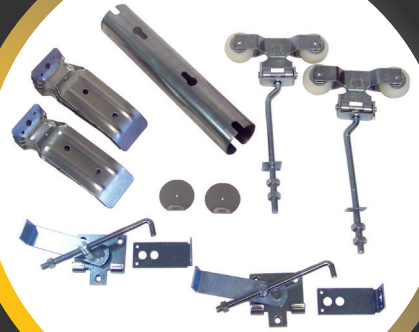
# SLIDING DOOR P A C K A G E S

## SINGLE SLIDING DOOR HARDWARE PACKAGE:

- Round (shown) or square track
- Track brackets (specific to track included)
- (2) 7" jamb latches
- (1) pair 9 1/2" bolt adjustable trolleys
- (1) pair end caps (specific to track included)

## DOUBLE SLIDING DOOR HARDWARE PACKAGE:

- Round (shown) or square track
- Track brackets (specific to track included)
- (1) splice collar (round track only)
- (2) 7" jamb latches
- (2) pair 9 1/2" bolt adjustable trolleys
- (1) pair end caps (specific to track included)
- (1) center door guide
- (1) center door latch



### SINGLE PACKAGE

*sold separately*



### DOUBLE PACKAGE

*sold separately*